



Valve & Hydrant Wrench

Thank you for purchasing the Wachs Valve and Hydrant Wrench. This tool will provide many years of service, assisting you in your valve operation program. We have enclosed set up and operation instructions. This information includes details for ordering replacement parts should your Wachs Turn-N-Count need service. Please read this information thoroughly before you use the tool.



HYDRANT WRENCH
63-000-02
63-000-03

| |
|------------------|
| MANUFACTURE DATE |
| |



TURN-N-COUNT
63-000-01

| |
|------------------|
| MANUFACTURE DATE |
| |

Package Contents

- If purchased as a TURN-N-COUNT Valve Wrench, you should have:
 - 1 Pc. Drive Head with Counter
 - 1 pc. Telescoping Valve Key
 - 1 pc. Hydrant Socket
 - 1 pc. Quick Pin
- If purchased as a HYDRANT WRENCH you should have:
 - 1 Pc. Drive Head with Single Handle
(Counter optional)
 - 1 Pc. Hydrant Socket
 - 1 pc. Quick Pin

Safety



Read the following thoroughly before proceeding

- 1. READ THE OPERATING MANUAL!** Reading the setup and operating instructions prior to beginning the setup can save valuable time and help prevent injury to operators or damage to the machines.
- 2. INSPECT MACHINE & ACCESSORIES** Prior to machine setup, physically inspect the machine and its accessories. Look for loose bolts or nuts, lubricant leakage, excessive rust, etc. A properly maintained machine can greatly decrease the chances for injury.
- 3. ALWAYS READ PLACARDS & LABELS!** All placards, labels and stickers must be clearly legible and in good condition. Replacement labels can be purchased from the manufacturer.
- 4. SECURE LOOSE CLOTHING AND JEWELRY!** Loose fitting clothing, jewelry, long unbound hair can get caught in the rotating parts on machines. By keeping these things secure or removing them, you can greatly reduce the chance for injury.
- 5. KEEP WORK AREA CLEAR!** Be sure to keep the work area free of clutter and nonessential materials. Only allow those personnel directly associated with the work being performed to have access to the area if possible.

Specifications

TURN-N-COUNT

| | |
|-----------------------------|---|
| Functions: | Turn all Utility Valves and Fire Hydrants of all types and sizes. Count revolutions, forward and reverse. |
| Machine Dimensions: | Head 2-1/2x3" (63.5x76.2mm); with handles 29" (736.6mm) overall. |
| Weight: | Head: 7 lbs. (3.1kg), Key: 10 lbs. (43.5kg) with Socket: 22 lbs. (9.9kg). |
| Turning Method: | Reversible Ratchet. |
| Maximum Torque Load: | 400 ft/lbs/ |
| Key: | Steel: 1" sq. (25.4mm) telescoping key from 5' to 9' (1524mm to 2743mm) with quick pin release. |
| Sockets: | Special configurations upon request. |
| Head: | Cast Steel |
| Handles: | Steel pipe with cushioned rubber safety grips. |
| Counter: | Built in digital display. Push button reset, counts in 1 revolution increments, forward and reverse reset. (Model 63-000-02 only) |
| Packaging: | Turn-N-Count with removable handles. Includes; Telescoping Key with socket (2" AWWA standard), Hydrant Socket and Manual. |
| Warranty: | One year parts and labor. |

HYDRANT WRENCH

| | |
|-----------------------------|---|
| Functions: | Turn Fire Hydrants of all types and sizes. |
| Machine Dimensions: | Head 2-1/2x3" (63.5x76.2mm); with handles 24" (609.6mm) overall. |
| Weight: | Head: 6 lbs. (2.7kg) with Socket: 8 lbs. (3.6kg) |
| Turning Method: | Reversible Ratchet. |
| Maximum Torque Load: | 400 ft/lbs/ |
| Head: | Cast Steel |
| Handles: | Steel pipe with cushioned rubber safety grips. |
| Counter: | Built in digital display. Push button reset, counts in 1 revolution increments, forward and reverse reset. (Model 63-000-02 only) |
| Packaging: | Turn-N-Count with removable handles, Includes; Hydrant Socket and Manual. |
| Warranty: | One year parts and labor. |

SET UP & OPERATING

The only assembly necessary is the installation of either the Telescoping Valve Key or Hydrant Socket into the drive head and pin in place. The operation of the wrench is identical to a ratcheting socket wrench used in most repair facilities. To drive right or left, put the lever in the appropriate position and you are ready to use the tool.

TURN-N-COUNT

1. Insert the valve key into the valve box containing the valve.
2. Lock the telescoping key in position at a comfortable operation height.
3. Set the wrench for right or left hand operation.
4. Zero out the counter by pressing the rest button.
5. Start your valve turning operation.

HYDRANT WRENCH

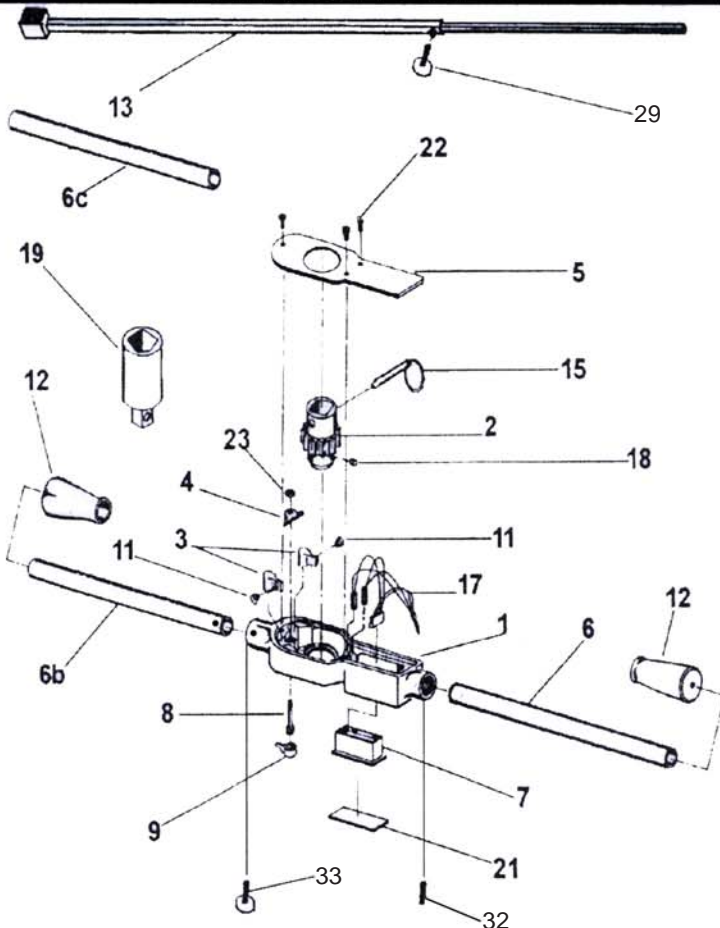
1. Insert the pentagon hydrant socket into the drive head.
2. Remove the handle on Model 63-000-01 only.
3. Set direction of operation.
4. Start your hydrant flushing operation.

BILL OF MATERIALS

TURN-N-COUNT MODELS 63-000-02 & 63-000-03

| REF. NO | PART NO. | QUANTITY | DESCRIPTION |
|---|-----------|----------|-----------------------|
| 1 | 63-034-00 | 1 | HOUSING |
| 2 | 63-002-00 | 1 | GEAR |
| 3 | 63-003-00 | 2 | PAWL |
| 4 | 63-004-00 | 1 | CAM |
| 5 | 63-005-00 | 1 | COVER |
| 6 | 63-031-01 | 1 | HANDLE, SHORT |
| 6B | 63-031-02 | 1 | HANDLE, LONG |
| 7 | 63-007-00 | 1 | COUNTER |
| 8 | 63-008-00 | 1 | SCREW (MODIFIED) |
| 9 | 63-009-00 | 1 | KNOB |
| 11 | 63-011-00 | 2 | SPRING |
| 12 | 63-012-00 | 2 | GRIP |
| 13 | 63-028-00 | 1 | KEY, TELESCOPING |
| 15 | 63-015-00 | 1 | PIN, QUICK RELEASE |
| NS | 63-018-00 | 1 | SCREW, THUMB 5/16" |
| 17 | 11-145-00 | 2 | SENSOR, POSITION |
| 17 | 90-501-36 | 1 | CONN, CRIMP TOOL |
| 17 | 90-501-47 | 4 | TERMINAL, MOLEX |
| 18 | 63-026-00 | 1 | MAGNET |
| 19 | 63-019-00 | 1 | ADAPTER, HYDRANT |
| 22 | 90-021-03 | 3 | 8-32x3/8 WHIZ LOCK |
| 23 | 90-055-08 | 1 | NUT, NYLOCK THIN 1/4" |
| 29 | 63-029-00 | 1 | PIN |
| N/S | 63-MAN-01 | 1 | MANUAL |
| 32 | 63-032-00 | 1 | PIN, ROLL |
| 33 | 63-033-00 | 1 | PIN QUICK RELEASE |
| 63-000-02 HYDRANT WRENCH w/counter | | | |
| 6c | 63-006-03 | 1 | HANDLE, 20" |
| 63-000-03 HYDRANT WRENCH only | | | |
| 6c | 63-006-03 | 1 | HANDLE, 20" |
| 21 | 63-021-00 | 1 | COVER |

EXPLODED VIEW



ORDERING INFORMATION

To place an order or to obtain additional information on any E.H. Wachs products, call us at:

1-800-323-8185

ORDER REPLACEMENT PARTS

Please use parts list provided in manual. Have part description and part number of required replacement part or parts to help expedite order and insure proper parts are being ordered.

REPAIR INFORMATION

Please call E.H. Wachs Company prior to returning any equipment for repair. We will advise you of shipping and handling. Please enclose with equipment to be repaired your name, address, phone number and a brief description of problem or work to be done or estimated.

WARRANTY INFORMATION

Enclosed with the manual is a warranty card. Please fill out the registration card and return to E.H. Wachs Company. Retain the owners registration record and warranty card for your information.

RETURN GOODS ADDRESS

E.H. WACHS COMPANY
100 SHEPARD STREET
WHEELING, IL 60090

847-537-8800

FAX: 847-520-1147 • 847-520-1168

TOLL FREE: 800-323-8185

WWW.WACHSCO.COM